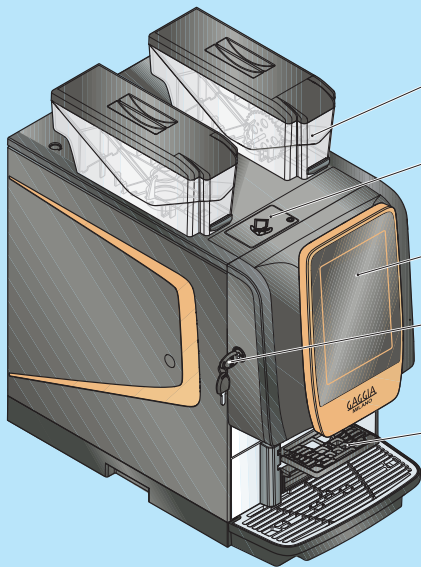
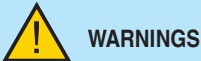
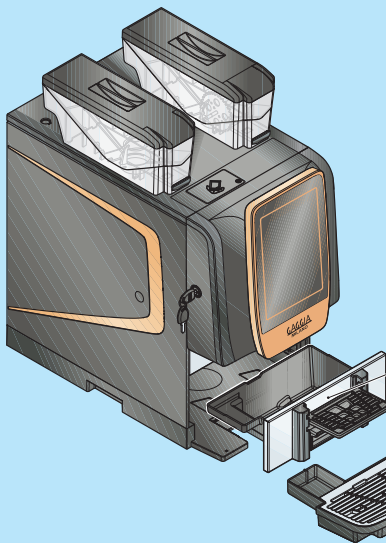


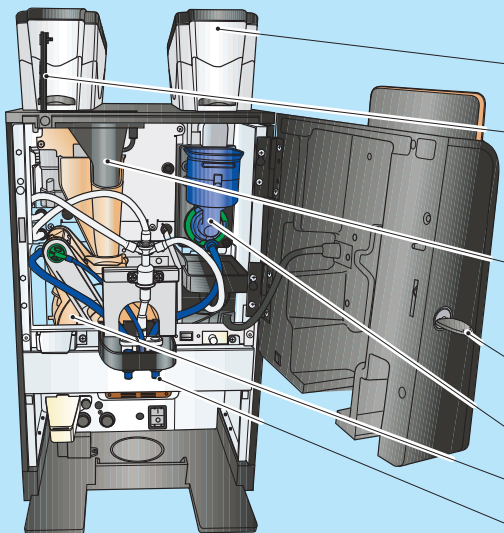
Some simple instructions for loading products and cleaning your appliance are described below.
*Certain models only.



- CONTAINERS
- DECAFFEINATED DOOR
- TOUCHSCREEN
- DOOR LOCK
- CUP HOLDER

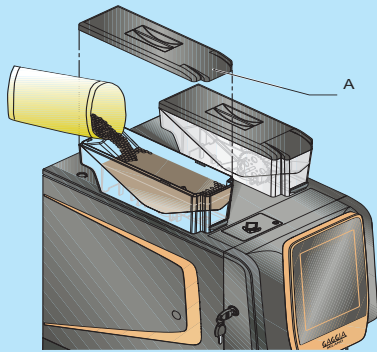


- SOLID RESIDUE CONTAINER
- LIQUID RESIDUE CONTAINER



- INSTANT PRODUCT CONTAINER
- DECAFFEINATED DOOR
- DECAFFEINATED COFFEE CHUTE
- DOOR KEY
- MIXER
- BREWING UNIT
- NOZZLES

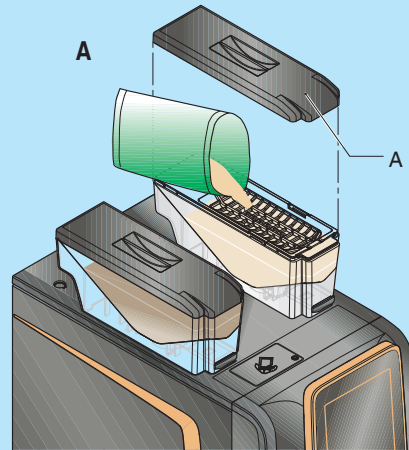
1



Coffee beans:

1. Open the coffee container lid (A).
2. Load the coffee beans into the container.

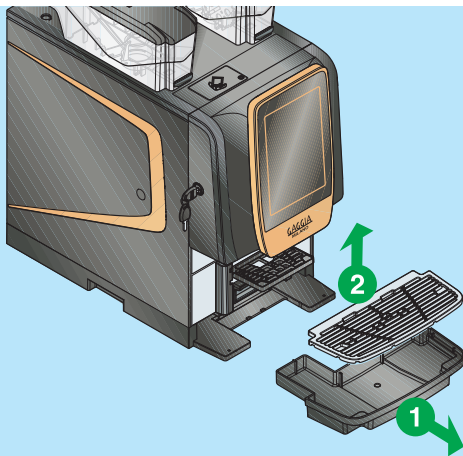
2



Instant products:

1. Open the instant powder container lid (A).
2. Load the container without compressing the instant powder.
3. If the instant product level is active, indicate how much product has been loaded via the "Daily operations" function.

1

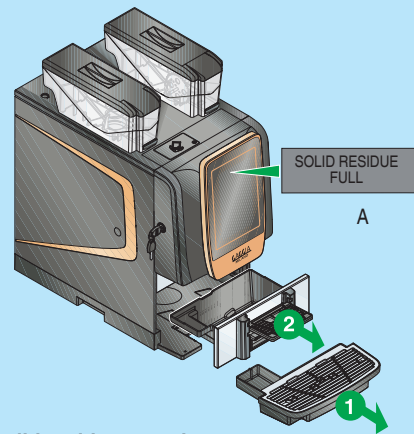


Cleaning the liquid residue container:

We recommend that you periodically empty and clean out the liquid residue container.

1. Pull the container out.
2. Remove the grille.
3. Empty and wash the container.

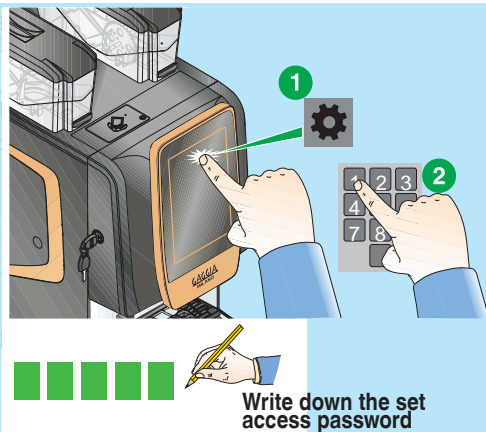
2



Cleaning the solid residue container:

1. Lift the nozzles using the lever (A).
2. Remove the liquid residue container.
3. Remove the solid residue container.
4. Empty and wash the containers.
5. Reposition the containers.
6. Confirm that they have been emptied via the "Daily operations" function.

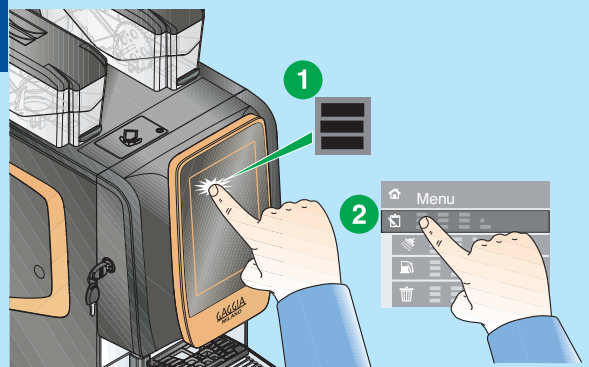
1



Write down the set access password

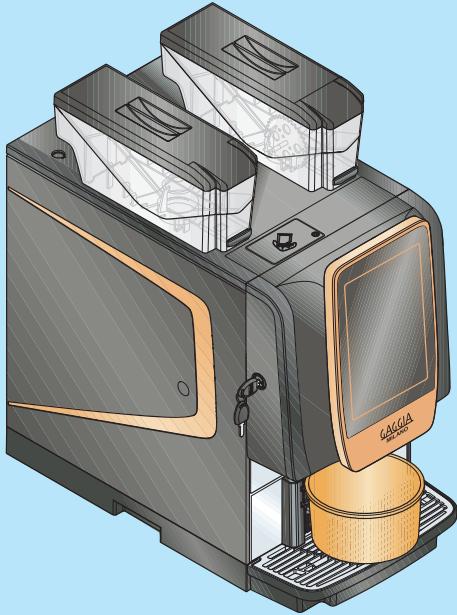
1. Tap from the selections screen to access the menu.
2. Enter the set password.

2



1. Tap to access the menu.
2. Tap the "Daily operations" function.
3. Enter into the desired function.
 - Fill containers: indicate how much product has been loaded.
 - Reset residue containers: clear the "residue container full" warning.
4. Tap and then to exit the menu.

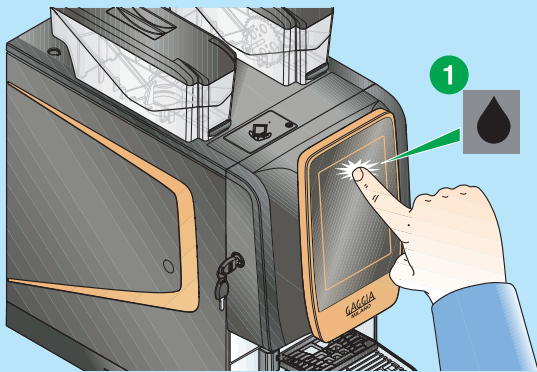
1




The wash cycles do not replace the need to disassemble the components for regular sanitisation.

For appliances that do not have a drainage system for the liquid residue container, we recommend that you place a container with a capacity of at least 3 litres under the nozzles.

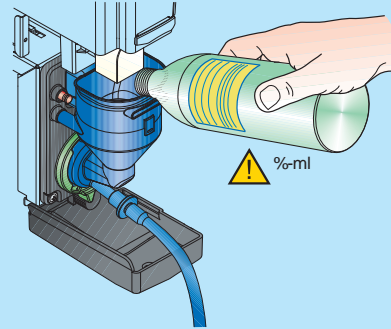
1



Accessing the wash/rinse menu

1. Tap  from the selections screen.
2. Select the wash or rinse to be carried out.
3. Set how much water to be used during the wash.

2



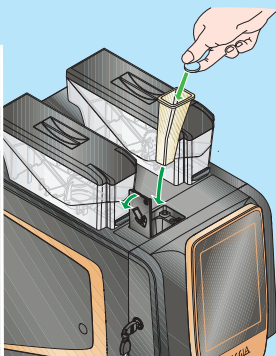
The mixer rinse cycle does not replace the need to disassemble the mixer for periodic sanitisation.

Follow the dosing directions on the product's packaging.

Washing and rinsing the mixer

1. Start the mixer rinse cycle.
2. Pour a few drops of sanitising solution into the mixer during the cycle.
3. At the end of the cycle, start a new rinse cycle to remove any remaining sanitising solution.

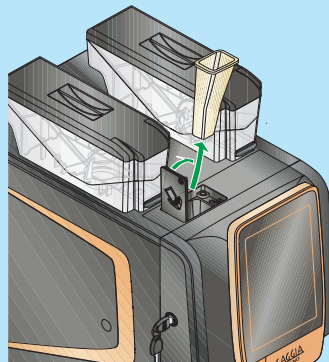
1



Only use coffee maker-specific products. The detergent chute should only be used to wash the brewing unit.

1. Open the decaffeinated coffee door.
2. Insert the detergent chute into the decaffeinated coffee chute.
3. Pour the detergent into the chute, following the dosing directions on the detergent's packaging.
4. Start the brewing unit wash cycle.

2

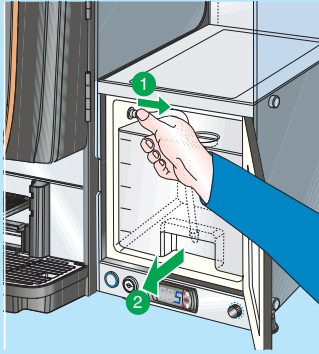


Remove the detergent chute when the wash has finished.

1. At the end of the cycle, start the brewing unit rinse cycle to remove any remaining detergent.
2. Remove the detergent chute.

CAPPUCCINO MAKER

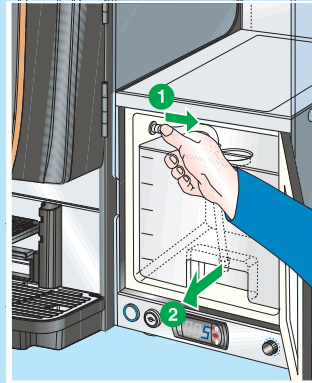
1



If the liquid residue container does not have a drainage system, place a container with a capacity of at least 3 litres under the nozzles in order to collect the wash residues.

1. Turn off the cooling module.
2. Disconnect the milk container hose.
3. Remove the milk container.

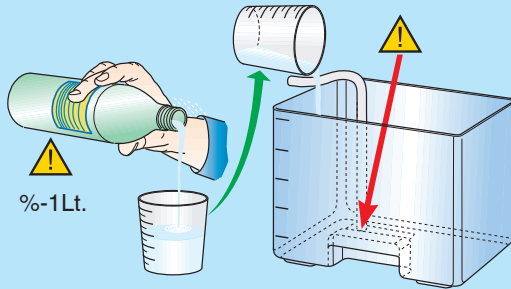
2



Do not use the milk container for the detergent wash. Make sure that the detergent container hose is secured to the bottom of the container itself.

1. Leave the cooling module door open during the wash.
2. Place the detergent container inside the cooling module.
3. Connect the detergent container hose.

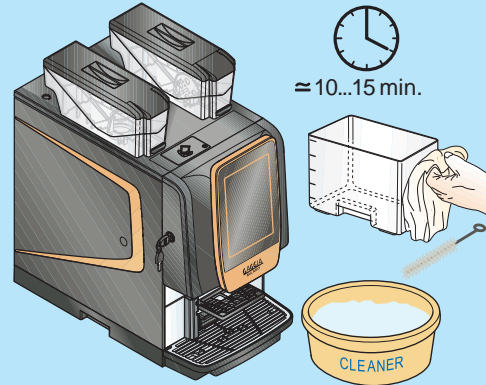
3



Only use cappuccino maker-specific products (tested product: Kamareta milk clean). Follow the dosing directions on the product's packaging.

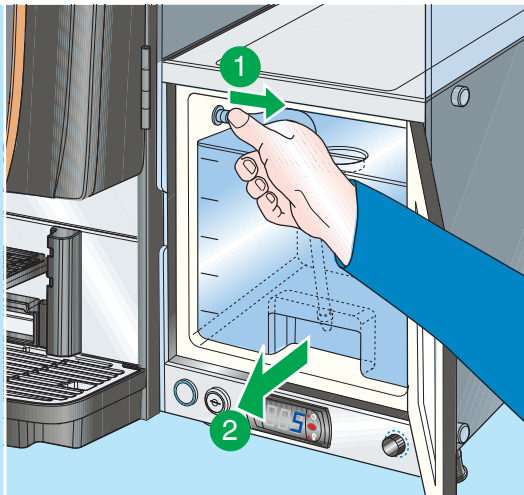
1. Set how much water to be used during the wash.
2. Only pour the amount of detergent needed into the container, according to the amount of water that has been set.
3. The detergent container hose must rest on the bottom.

4



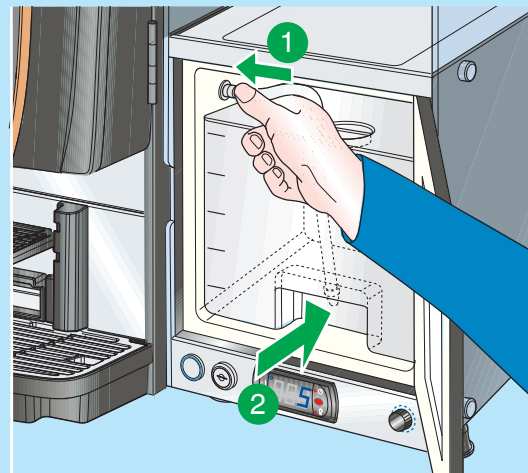
The appliance automatically prepares the cleaning solution by pouring hot water into the detergent container. The solution is sucked up and rinses the whole circuit. Whilst the automatic wash is in progress, clean the milk container and milk suction tube using brushes and/or swabs.

5



1. At the end of the cycle, disconnect the detergent container hose.
2. Remove the detergent container.

6

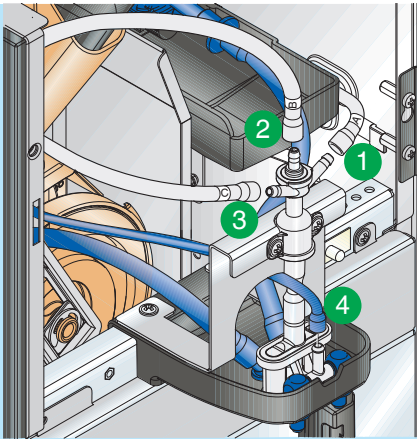


1. Switch on the cooling module and wait for the operating temperature to be reached.
2. Place the milk container inside the cooling module.
3. Connect the milk container hose.

CAPPUCCINO MAKER

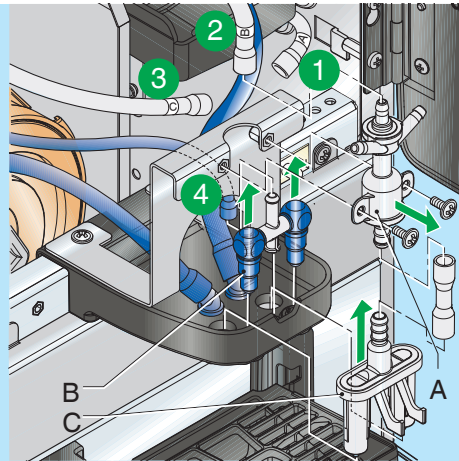
CLEANING THE CAPPUCCINO MAKER NOZZLE

1



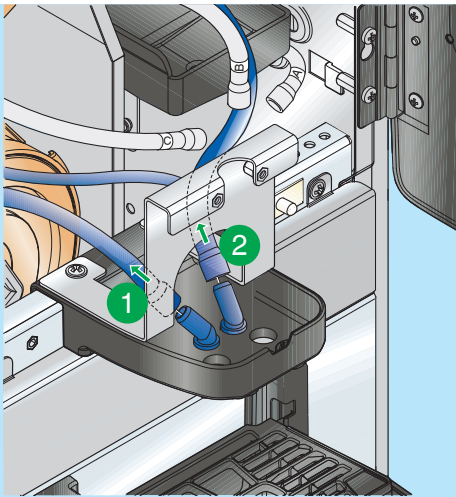
1. Lower the nozzle lever.
2. Remove the nozzle cover.
3. Disconnect the coffee dispensing hose from the flow divider nozzle.
4. Disconnect the hoses from the cappuccino maker nozzle.

2



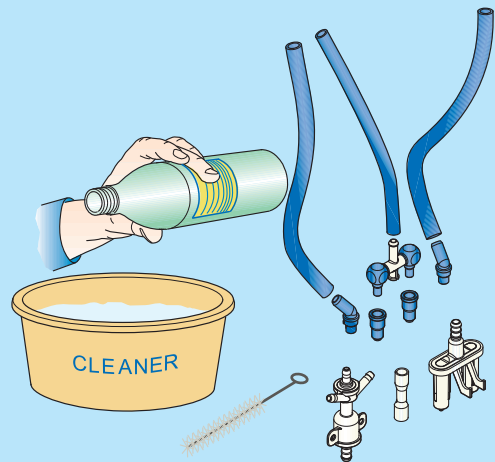
1. Unhook the flow divider nozzle (A) from the nozzle support.
2. Remove the cappuccino maker nozzle (B).
3. Remove the diffuser (C)

3



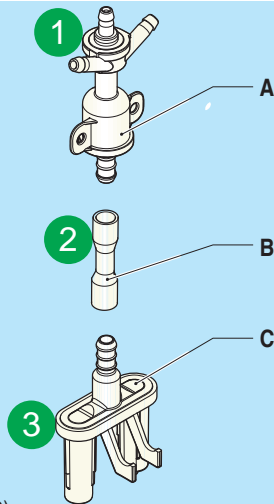
1. Rotate and remove part (A).
2. Rotate and remove part (B).
3. Separate parts (C), (D) and (E).

4



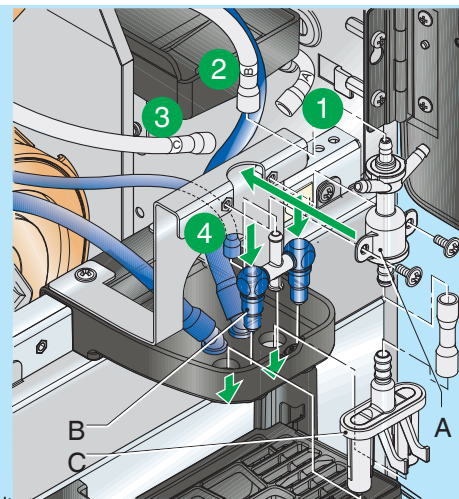
1. Wash all the milker nozzle parts in a cleaning solution, taking care to mechanically remove the visible residues and films using brushes and swabs if necessary.
2. Rinse and thoroughly dry the parts.

5



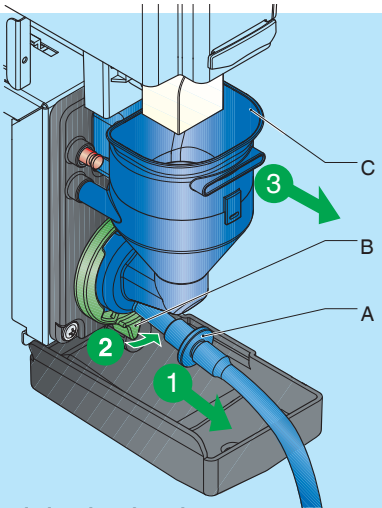
1. Reassemble parts (D) and (E).
2. Re-position part (C) inside part (D).
3. Re-position and rotate part (B) to secure it.
4. Re-position and rotate part (A) to secure it.

6



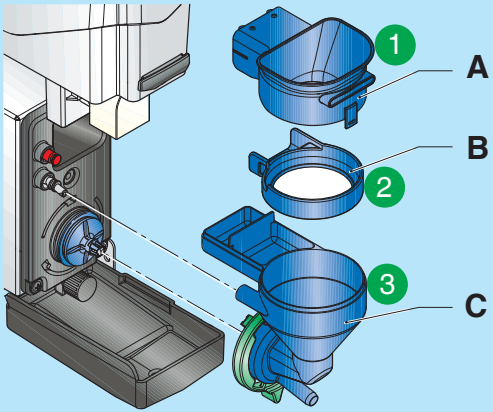
1. Re-position the cappuccino maker nozzle.
2. Reconnect hoses A and B to the milker nozzle.
3. Re-position and attach the flow divider (B).
4. Reconnect the coffee hose to the flow divider.
5. Re-position the nozzle cover.

1



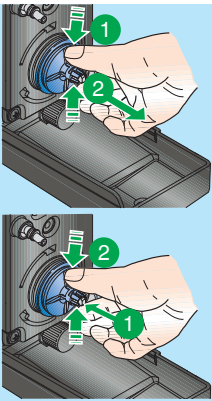
Removing and cleaning the mixer:
 1. Disconnect hose (A) from the mixer.
 2. Rotate lever (B) anticlockwise.
 3. Remove mixer (C).

2



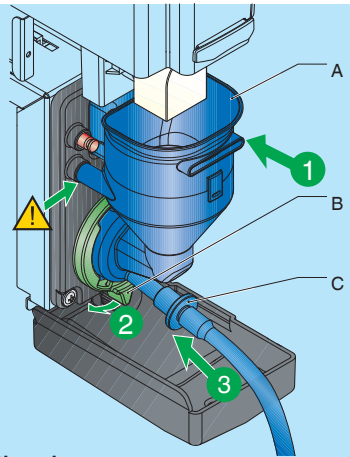
Removing and cleaning the mixer:
 1. Separate all of the mixer components: powder funnel (A), powder tray (B) and water funnel (C).

3



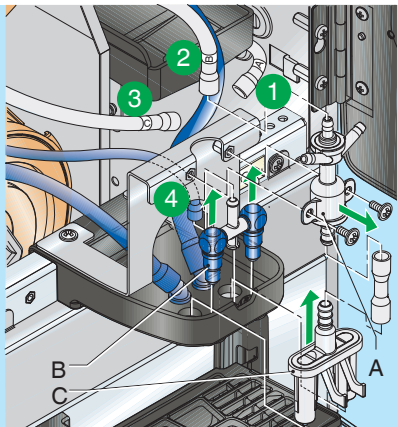
Removing and cleaning the mixer:
 1. Unscrew the mixer fan by blocking the toothed disc on the motor-mixer with a finger.
 2. Wash all the mixer components, taking care to mechanically remove visible residues and films using swabs or brushes, if necessary.
 3. Thoroughly rinse all of the mixer's components.
 4. Reposition the fan by blocking the toothed disc on the motor-mixer with a finger.

4



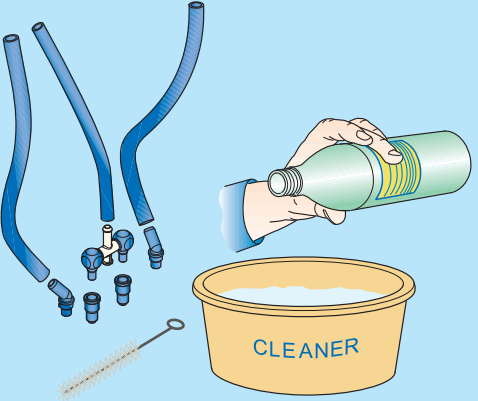
Assembling the mixer:
 1. Reassemble all the mixer components (A) and make sure that the water funnel has been correctly reinserted.
 2. Rotate lever (B) clockwise to secure the mixer to the appliance.
 3. Reconnect hose (C) to the mixer.

5



Removing and cleaning the nozzles:
 1. Lower the nozzle lever.
 2. Disconnect the hoses from the instant beverage nozzles and the flow divider nozzle (A).
 3. Unhook the flow divider nozzle from the nozzle support.
 4. Remove the flow divider and instant beverage nozzles.

6



1. Wash all the components, taking care to mechanically remove visible residues and films using swabs or brushes, if necessary.
 2. Thoroughly rinse the nozzles and reassemble them on the nozzle support.
 Use a cloth soaked in cleaning solution to remove any residue from the hot water spouts.