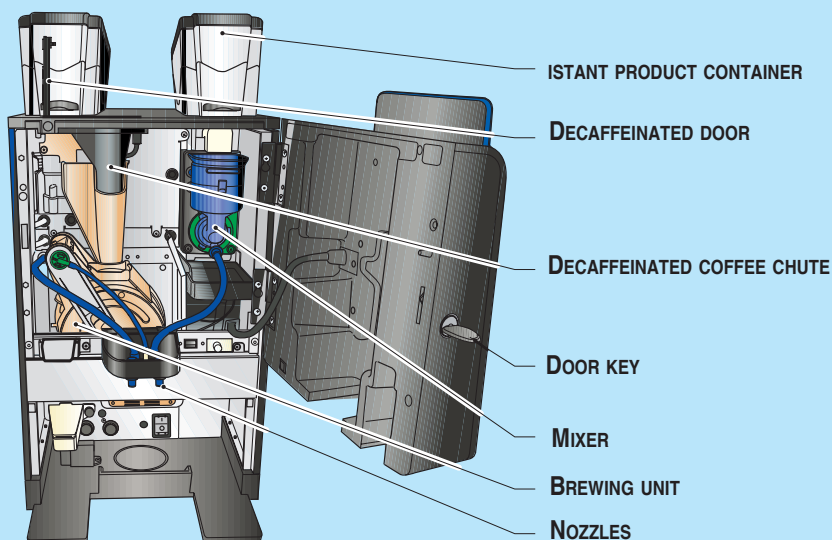
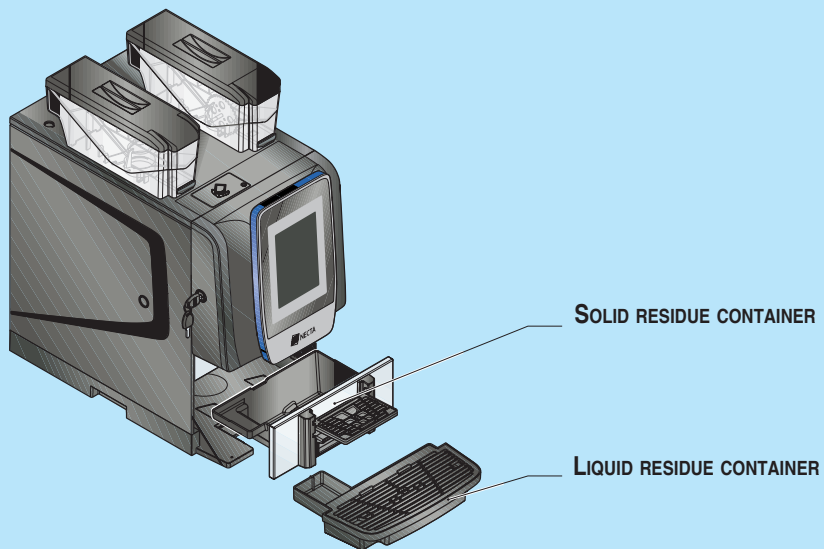
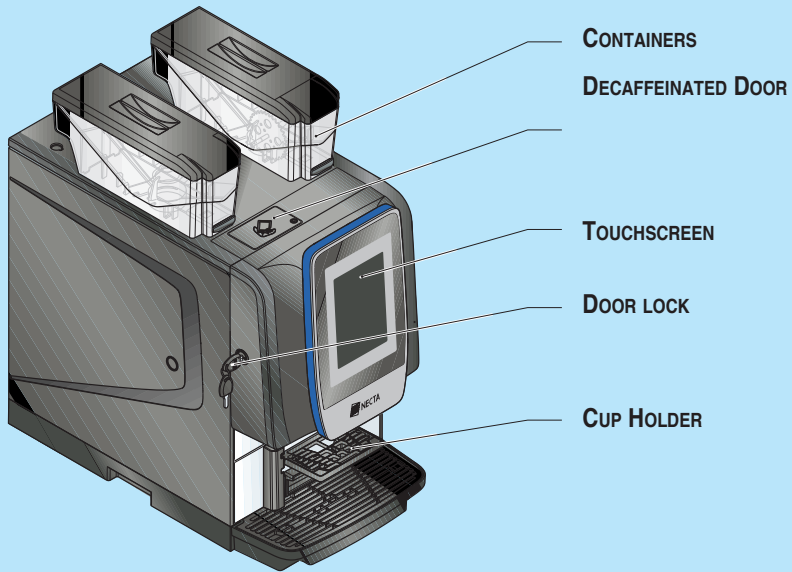
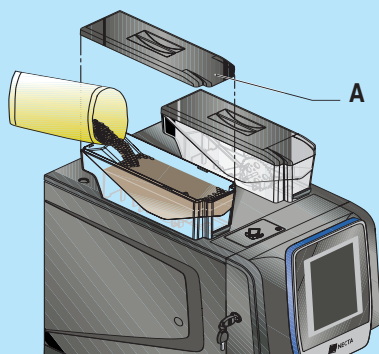


Some simple instructions for loading products and cleaning your appliance are described below.  
\*Certain models only.



LOADING PRODUCTS

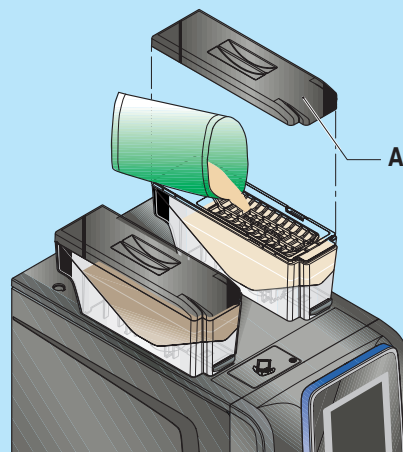
1



**Coffee beans:**

1. Open the coffee container lid (A).
2. Load the coffee beans into the container.

2

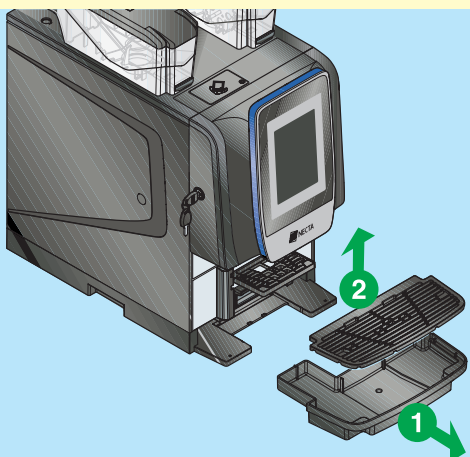


**Instant products:**

1. Open the instant powder container lid (A).
2. Load the container without compressing the instant powder.
3. If the instant product level is active, indicate how much product has been loaded via the "Daily operations" function.

CLEANING THE CONTAINERS

1

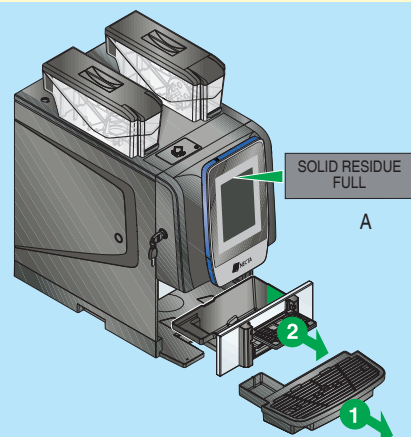


**Cleaning the liquid residue container:**

We recommend that you periodically empty and clean out the liquid residue container.

1. Pull the container out.
2. Remove the grille.
3. Empty and wash the container.

2

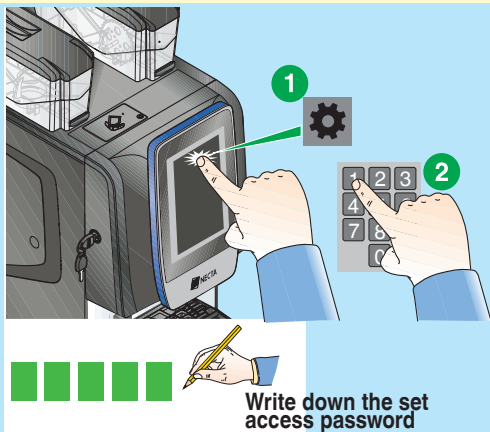


**Cleaning the solid residue container:**

1. Lift the nozzles using the lever (A).
2. Remove the liquid residue container.
3. Remove the solid residue container.
4. Empty and wash the containers.
5. Reposition the containers.
6. Confirm that they have been emptied via the "Daily operations" function.

"DAILY OPERATIONS" FUNCTION

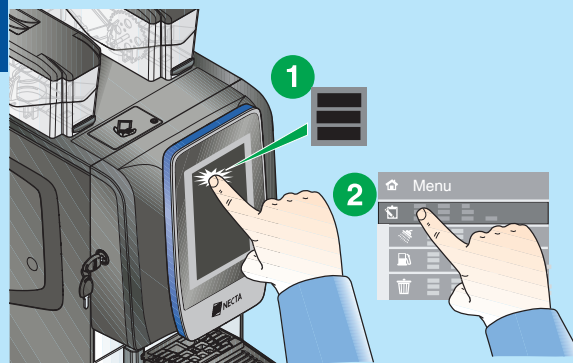
1



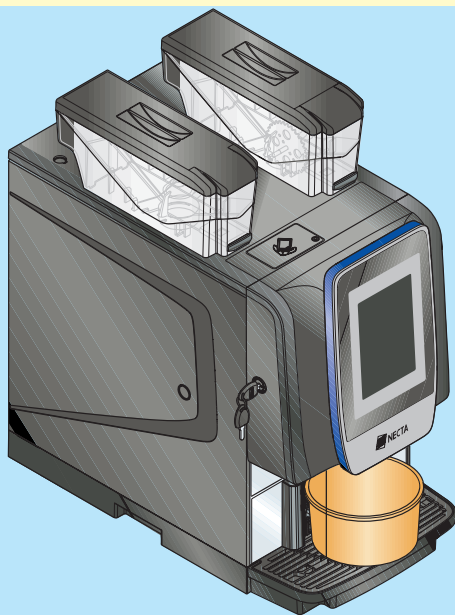
Write down the set access password

1. Tap from the selections screen to access the menu.
2. Enter the set password.

2

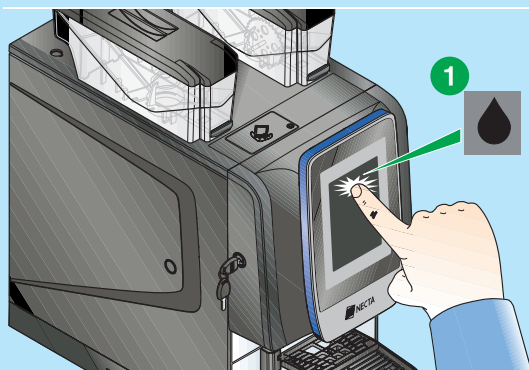


1. Tap to access the menu.
2. Tap the "Daily operations" function.
3. Enter into the desired function.
  - Fill containers: indicate how much product has been loaded.
  - Reset residue containers: clear the "residue container full" warning.
4. Tap and then to exit the menu.


**1**


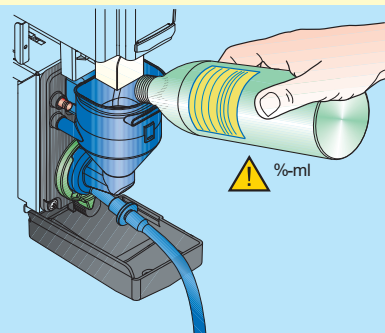
**The wash cycles do not replace the need to disassemble the components for regular sanitisation.**

For appliances that do not have a drainage system for the liquid residue container, we recommend that you place a container with a capacity of at least 3 litres under the nozzles.

**1**


#### Accessing the wash/rinse menu

1. Tap  from the selections screen.
2. Select the wash or rinse to be carried out.
3. Set how much water to be used during the wash.

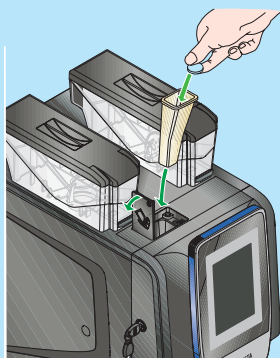
**2**


**The mixer rinse cycle does not replace the need to disassemble the mixer for periodic sanitisation.**

Follow the dosing directions on the product's packaging.

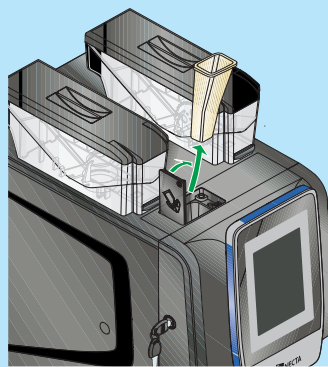
#### Washing and rinsing the mixer

1. Start the mixer rinse cycle.
2. Pour a few drops of sanitising solution into the mixer during the cycle.
3. At the end of the cycle, start a new rinse cycle to remove any remaining sanitising solution.

**1**


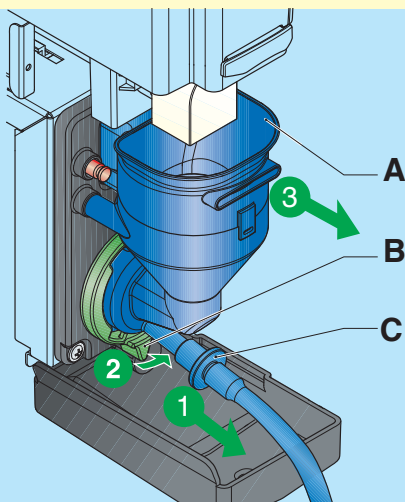
**Only use coffee maker-specific products. The detergent chute should only be used to wash the brewing unit.**

1. Open the decaffeinated coffee door.
2. Insert the detergent chute into the decaffeinated coffee chute.
3. Pour the detergent into the chute, following the dosing directions on the detergent's packaging.
4. Start the brewing unit wash cycle.

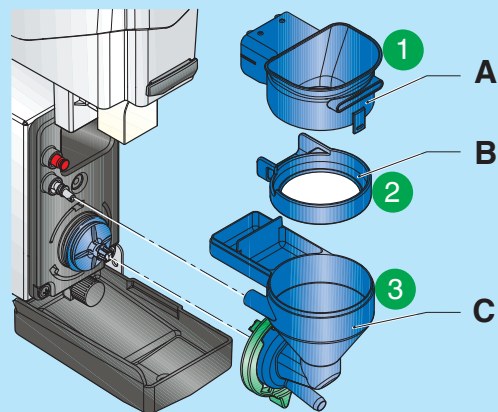
**2**


**Remove the detergent chute when the wash has finished.**

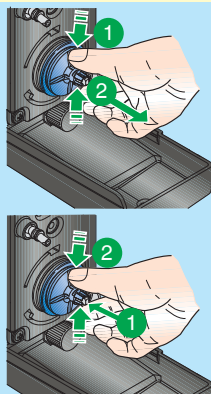
1. At the end of the cycle, start the brewing unit rinse cycle to remove any remaining detergent.
2. Remove the detergent chute.

**1**

**Removing and cleaning the mixer:**

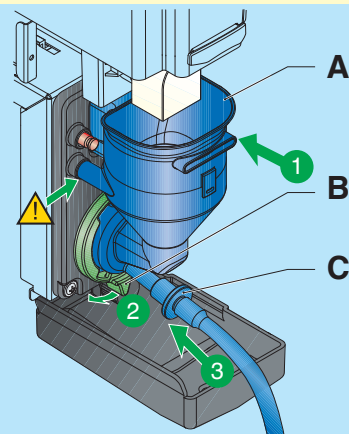
1. Disconnect hose (A) from the mixer.
2. Rotate lever (B) anticlockwise.
3. Remove mixer (C).

**2**

**Removing and cleaning the mixer:**

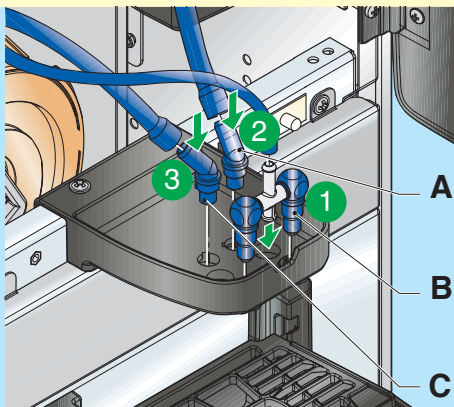
1. Separate all of the mixer components: powder funnel (A), powder tray (B) and water funnel (C).

**3**

**Removing and cleaning the mixer:**

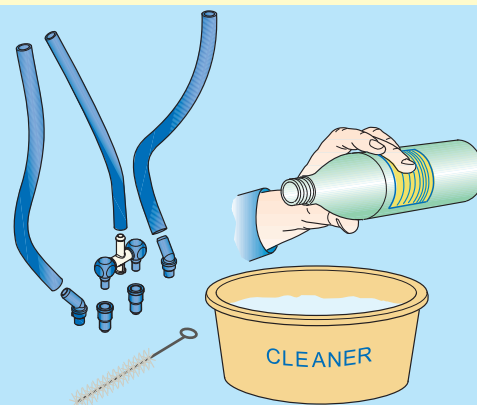
1. Unscrew the mixer fan by blocking the toothed disc on the motor-mixer with a finger.
2. Wash all the mixer components, taking care to mechanically remove visible residues and films using swabs or brushes, if necessary.
3. Thoroughly rinse all of the mixer's components.
4. Reposition the fan by blocking the toothed disc on the motor-mixer with a finger.

**4**

**Assembling the mixer:**

1. Reassemble all the mixer components (A) and make sure that the water funnel has been correctly reinserted.
2. Rotate lever (B) clockwise to secure the mixer to the appliance.
3. Reconnect hose (C) to the mixer.

**5**

**Removing and cleaning the nozzles:**

1. Lower the nozzle lever.
2. Disconnect the hoses from the instant beverage nozzles and the flow divider nozzle (A).
3. Unhook the flow divider nozzle from the nozzle support (B)
4. Remove the flow divider and instant beverage nozzles (C)

**6**


1. Wash all the components, taking care to mechanically remove visible residues and films using swabs or brushes, if necessary.
  2. Thoroughly rinse the nozzles and reassemble them on the nozzle support.
- Use a cloth soaked in cleaning solution to remove any residue from the hot water spouts.